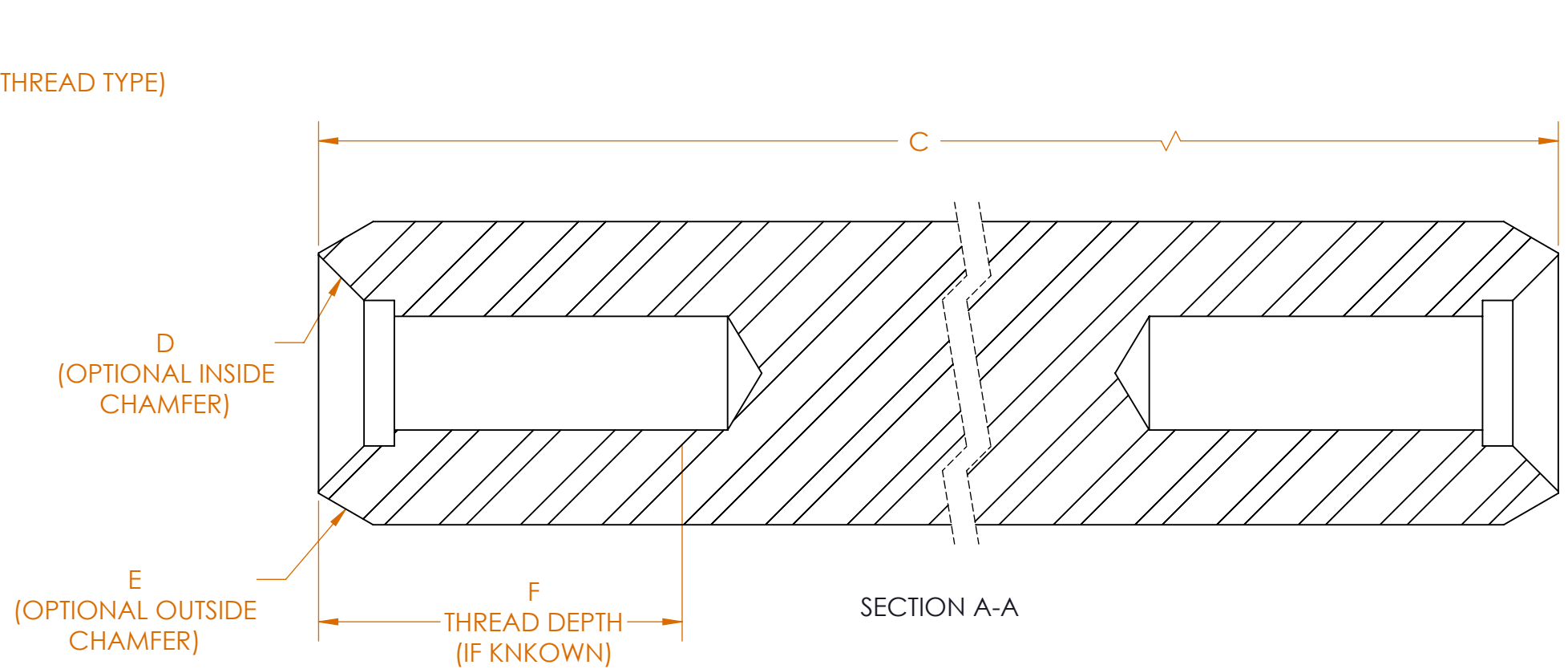
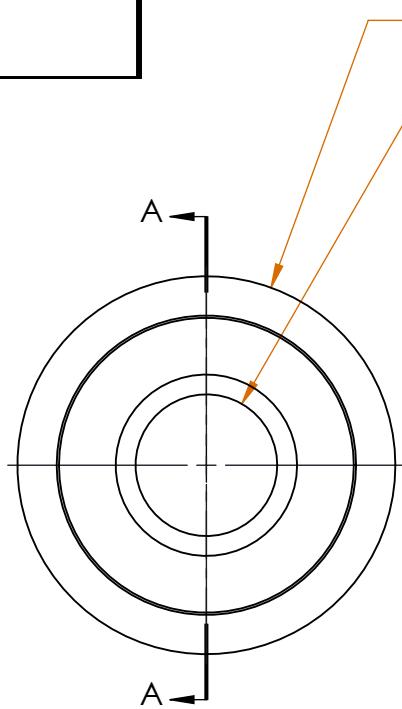


LETTER	AS MEASURED
A	
B	
C	
D	
E	
F	
THREADS AT BOTH ENDS?	Y / N



<b>K2 CASTINGS</b>	
DWG. NO. Hammer Pin Shaft Template	REV <b>A</b>
SCALE: 1:2	WEIGHT: